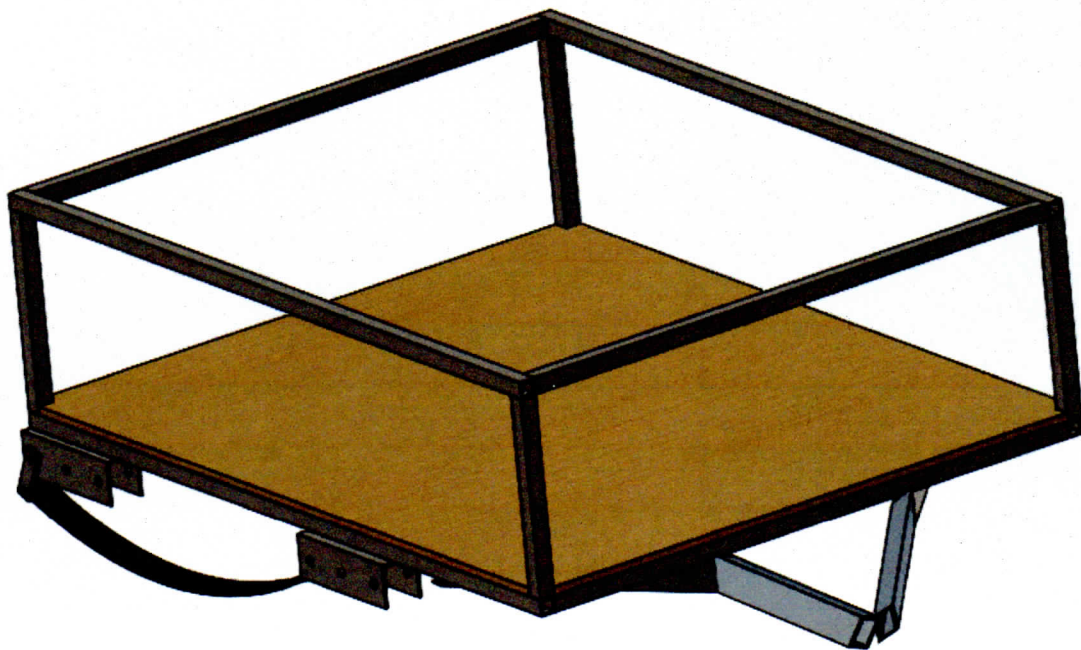


**Transpo17: Preliminary Presentation for Mr. Patrick Lucien**

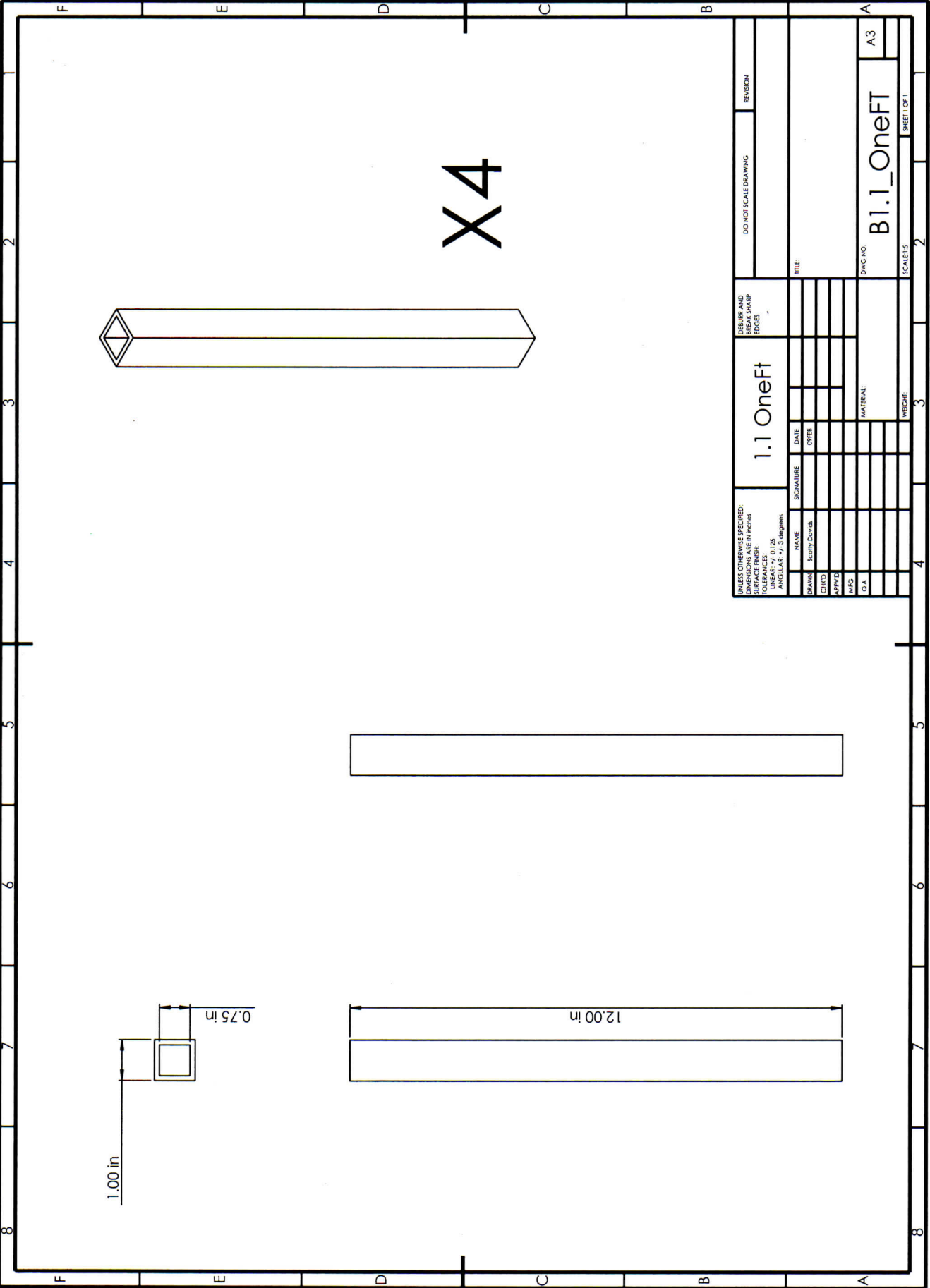
*Initial Design Manual*



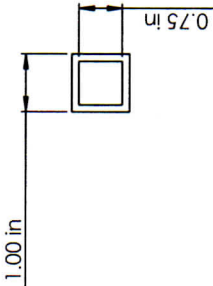
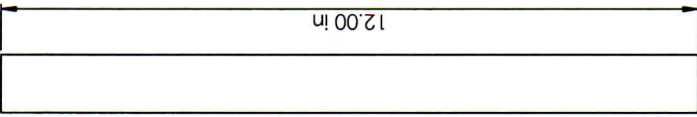
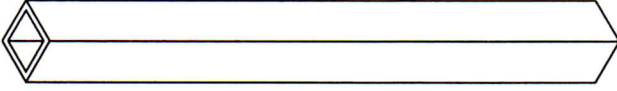
Scotty Davids  
Nick Morris  
Ashley Luchtenberg  
Mark Serbent  
Ryan Waterman

## Table of Contents

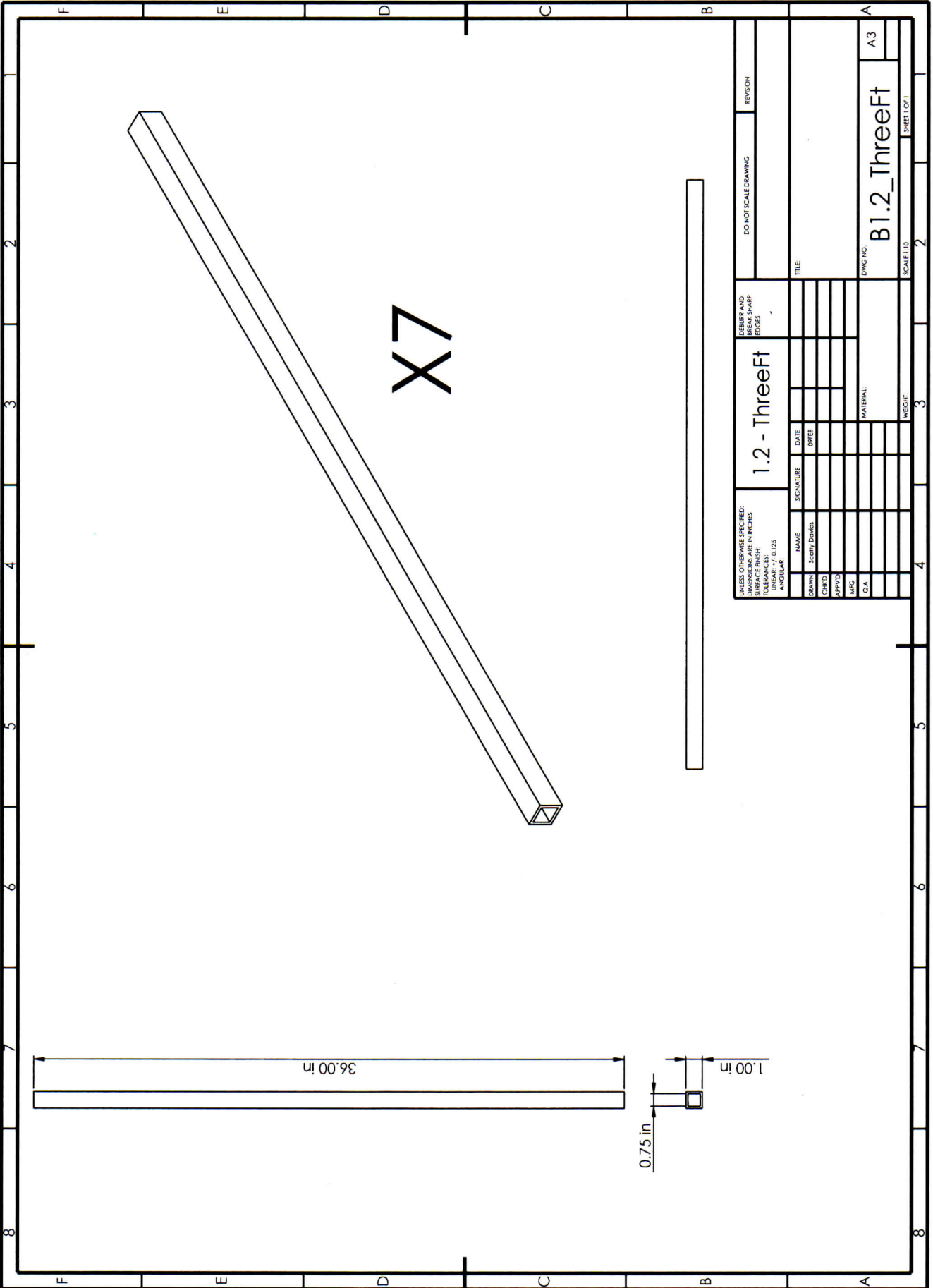
1. *Drawings for All Parts Used*
2. *Subcomponent Construction*
  - 1) *Frame*
  - 2) *Suspension*
  - 3) *Axle/Wheels*
  - 4) *Mounting Bracket*
  - 5) *Hitch*
3. *Assembly of subcomponents*



X4



UNLESS OTHERWISE SPECIFIED: DIMENSIONS IN INCHES SURFACE FINISH: TOLERANCES: FIT: AS SHOWN ANGULAR: 1/3 degrees		1.1 Oneft		DO NOT SCALE DRAWING		REVISION
DESIGN AND CHECKED	DATE	TITLE		DWG NO.		A3
DRWN Scott Davis	DATE	MATERIAL:		SCALE		2
CHKD	DATE	WEIGHT:		SHEET 1 OF 1		2
APPVD	DATE					
MFG	DATE					
QA	DATE					



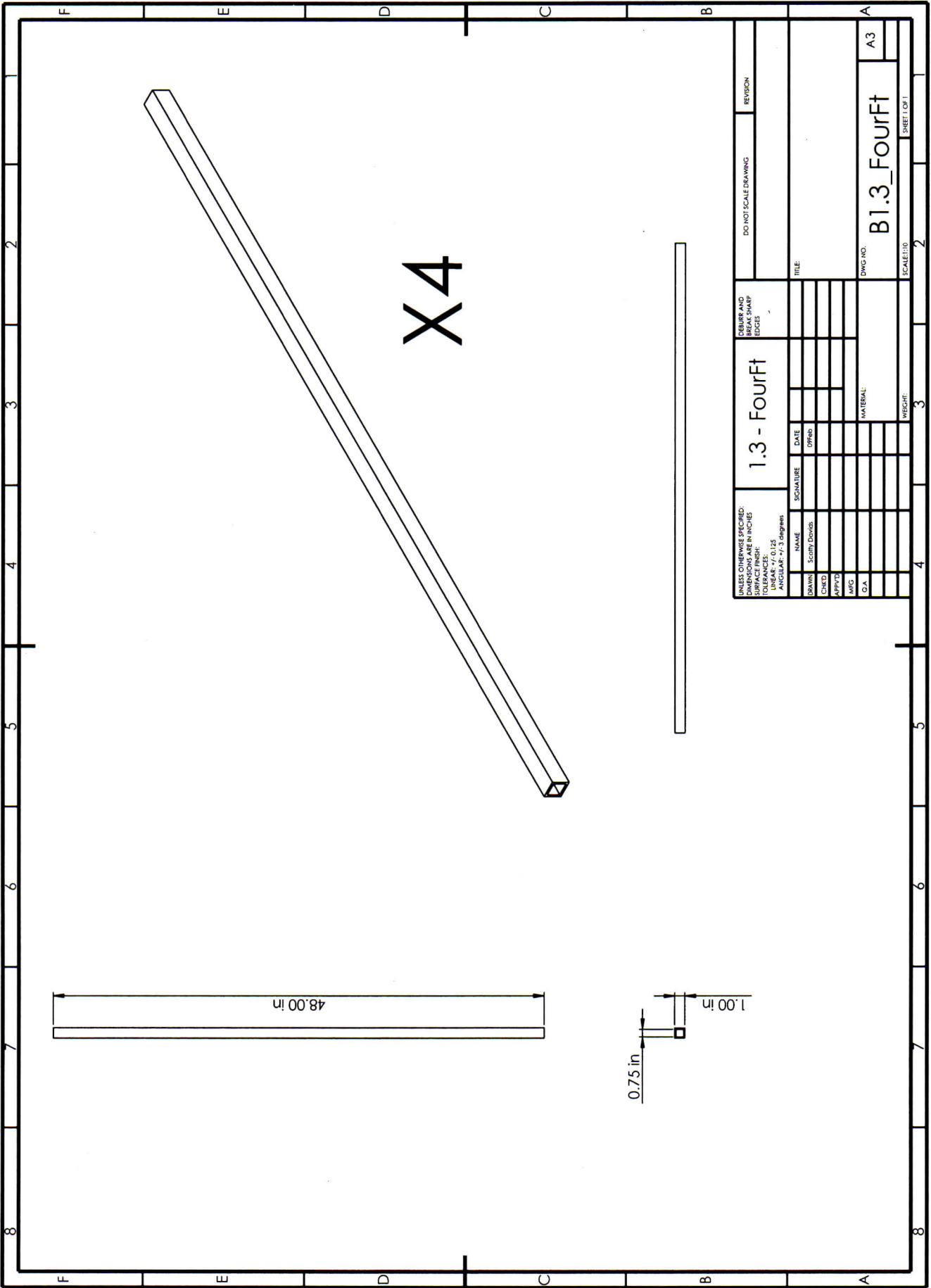
X7

36.00 in

0.75 in

1.00 in

UNLESS OTHERWISE SPECIFIED: DIMENSIONS ARE IN INCHES SURFACE FINISH: TOLERANCES UNLESS NOTED: ANGULAR		1.2 - Threeft		DO NOT SCALE DRAWING		REVISION	
DESIGN AND BREAK SHARP EDGES	TITLE		SCALE: 1:10		SHEET 1 OF 1		A3
NAME	SIGNATURE	DATE	MATERIAL:		DWG NO		B1.2_Threeft
DRAWN COPY/DOUB		DATE			SCALE: 1:10		2
CHKD		DATE			SHEET 1 OF 1		A3
APP'D		DATE			DWG NO		B1.2_Threeft
MSG		DATE			SCALE: 1:10		2
QA		DATE			SHEET 1 OF 1		A3
WEIGHT:			MATERIAL:		DWG NO		B1.2_Threeft



X4

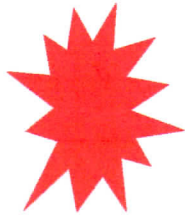
48.00 in

0.75 in

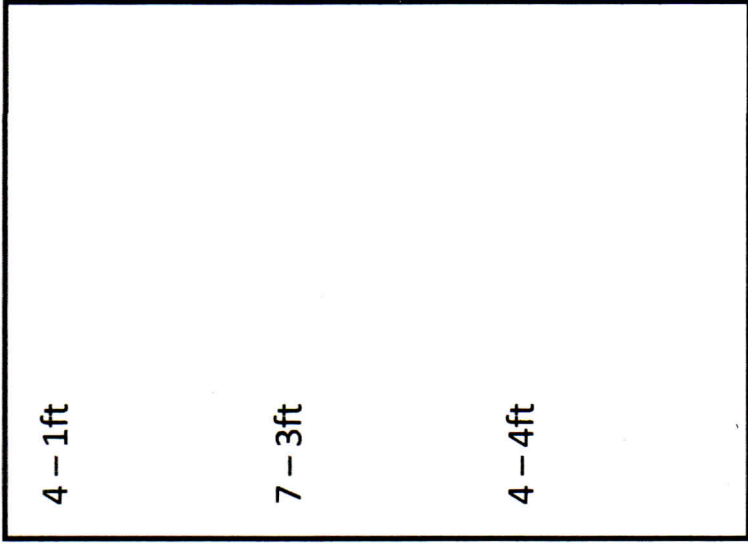
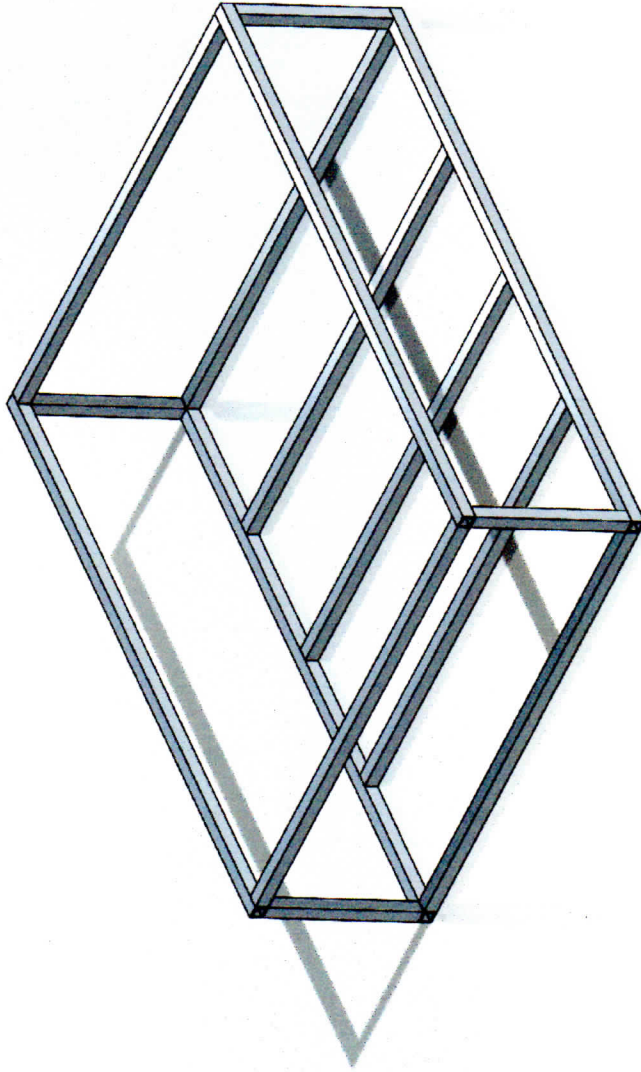
1.00 in

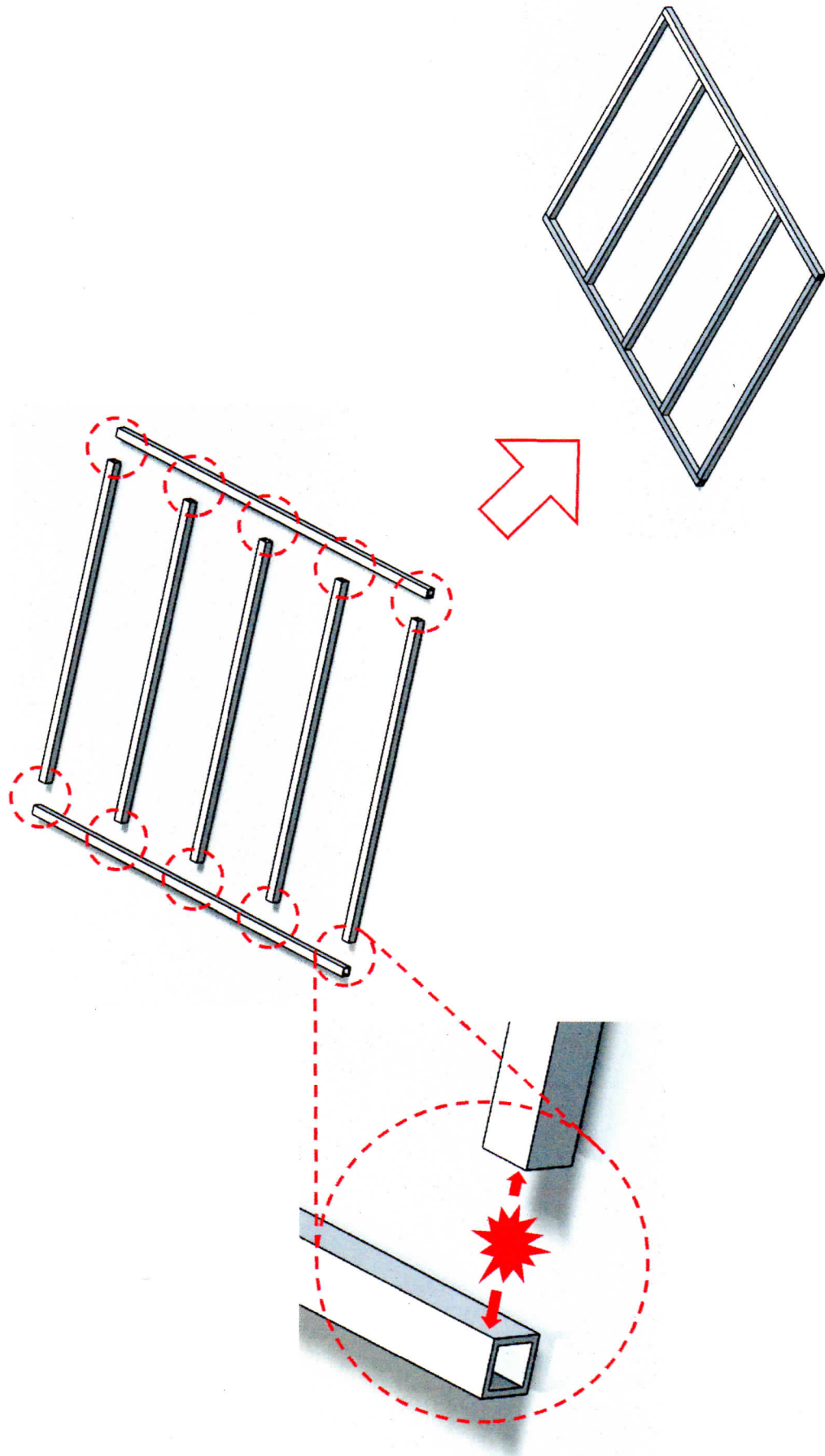
UNLESS OTHERWISE SPECIFIED: DIMENSIONS ARE IN INCHES SURFACE FINISH: TOLERANCES: ±.015 ANGULAR: ±.3 degrees		1.3 - FourFt		MARK AND BREAK SHARP EDGES	DO NOT SCALE DRAWING	REVISION
DRAWN: Scotty Davis	CHECKED: APY/D	DATE: 07/08	SIGNATURE: [Signature]	TITLE: [Blank]	[Blank]	
MFG: GFA	MATERIAL: [Blank]	[Blank]	[Blank]	[Blank]	DWG NO: B1.3_FourFt	A3
[Blank]	[Blank]	[Blank]	[Blank]	[Blank]	SCALE: 1:10	SHEET 1 OF 1

**KEY**



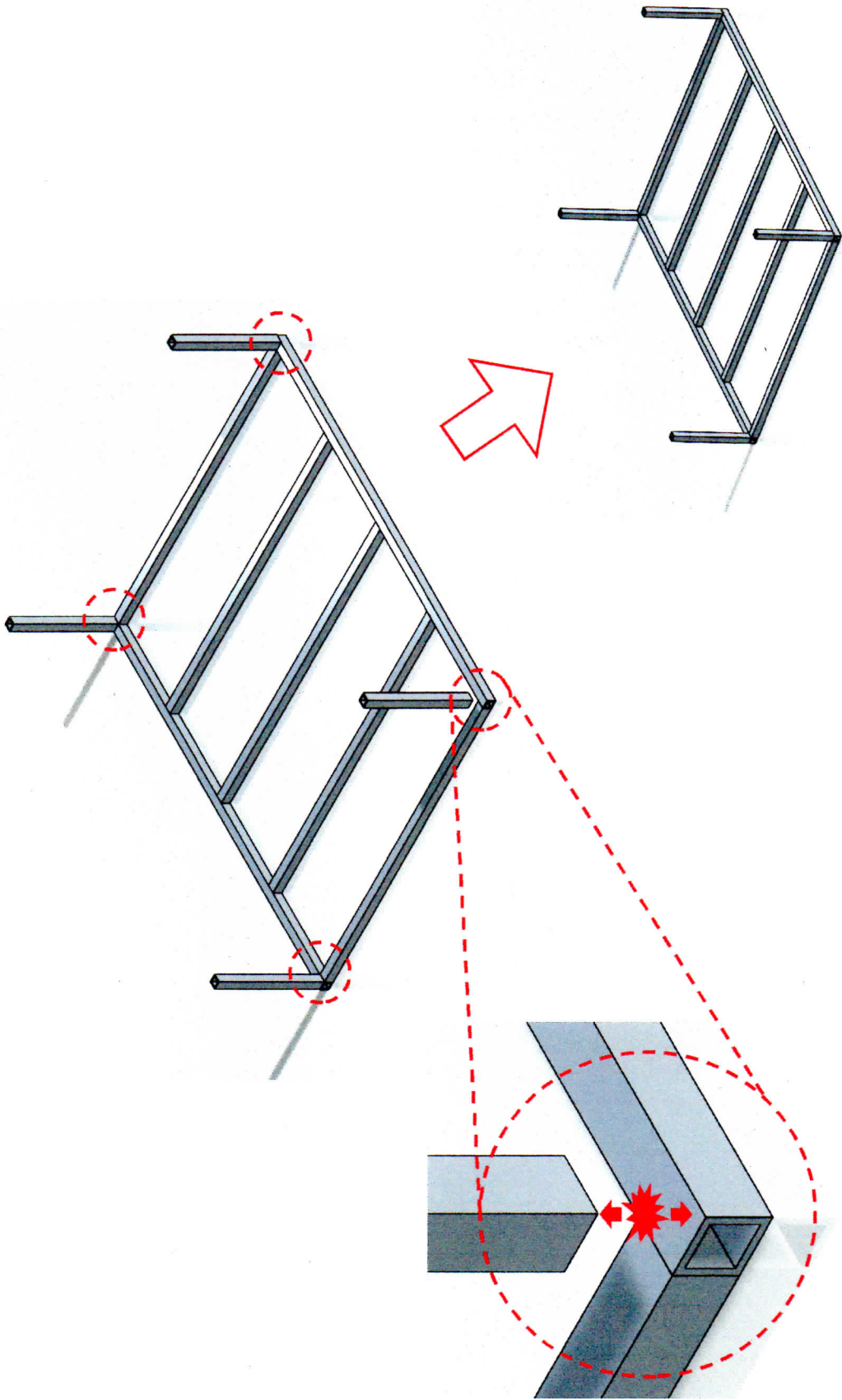
# FRAME

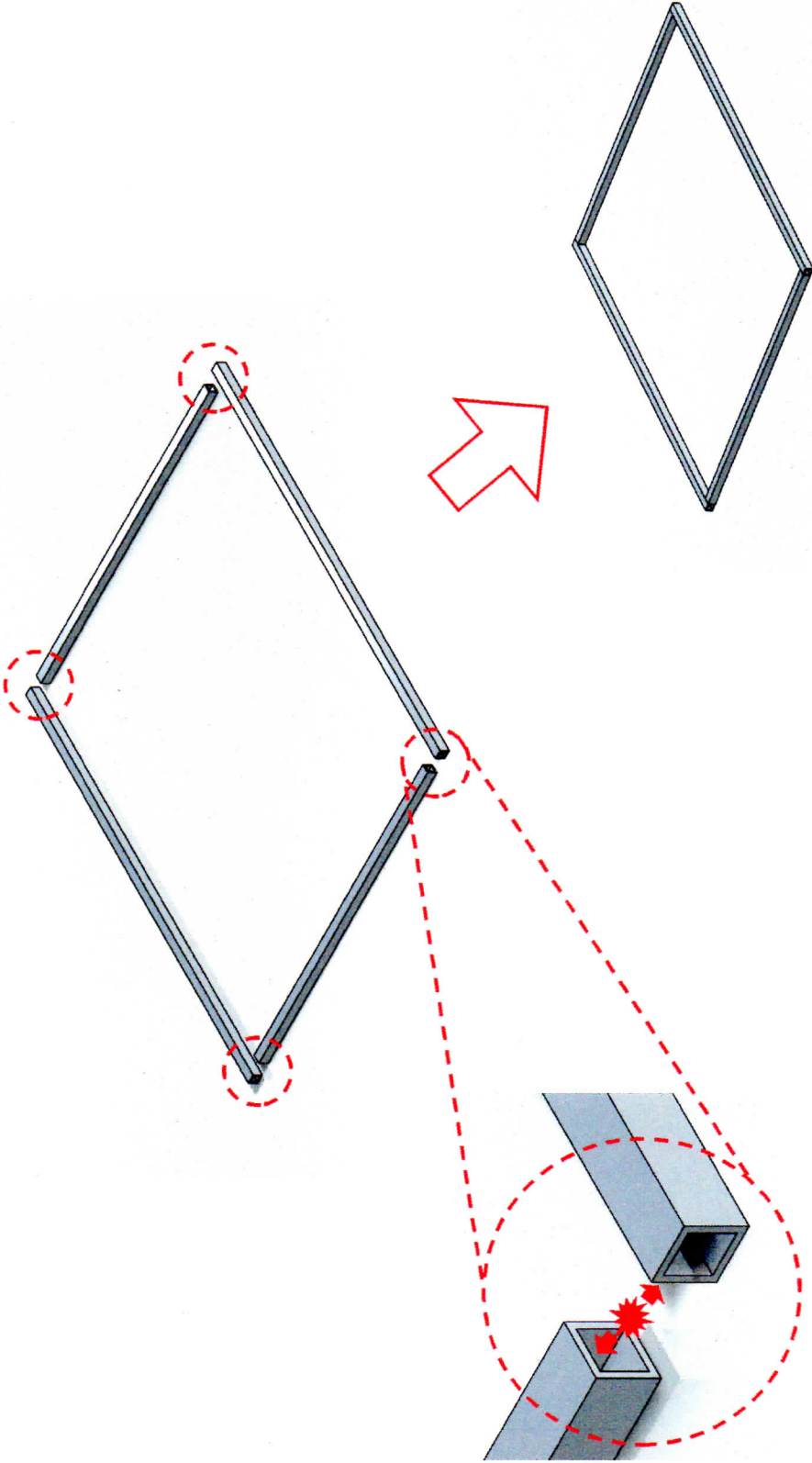




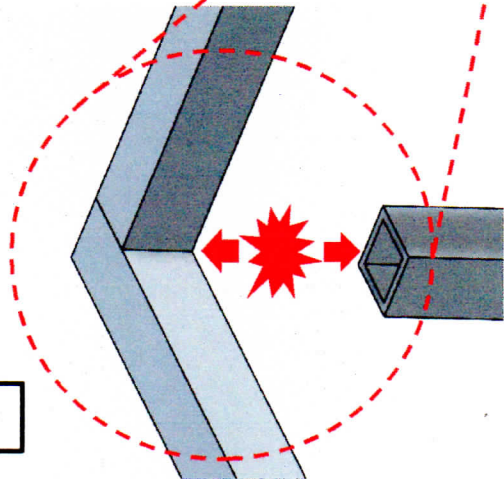
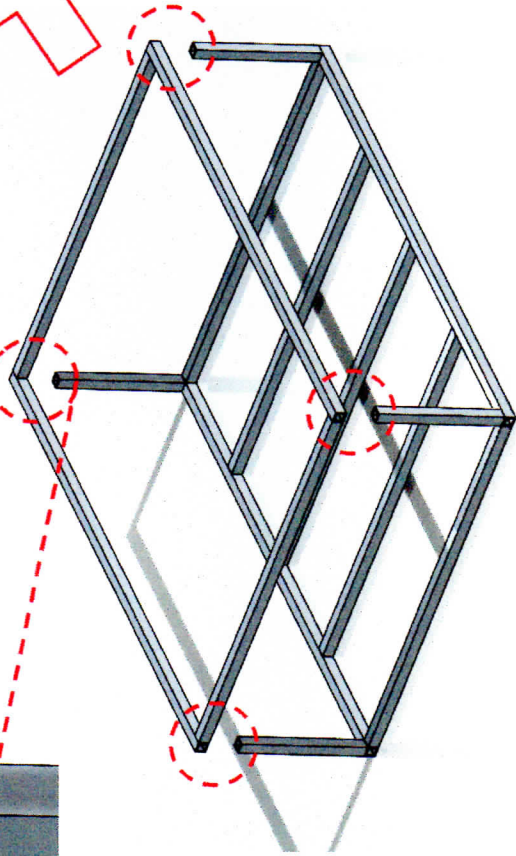
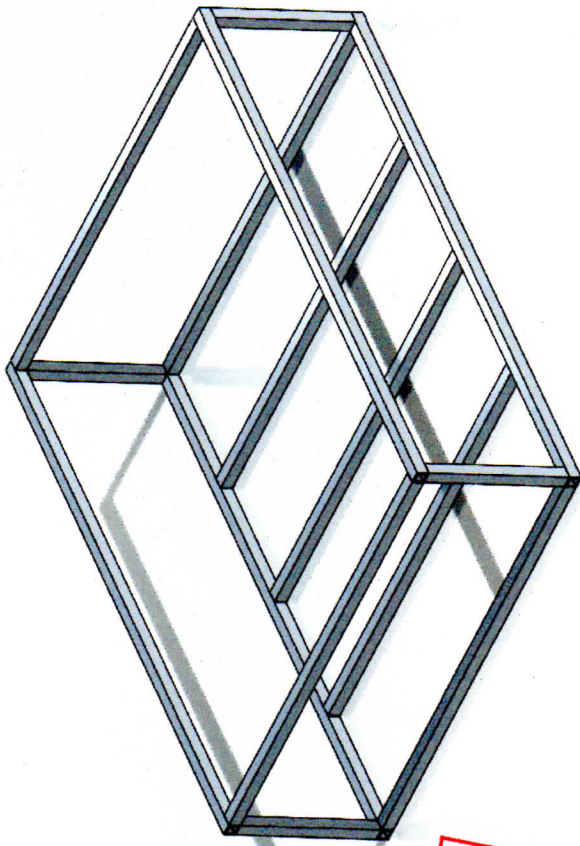
1







3



4

